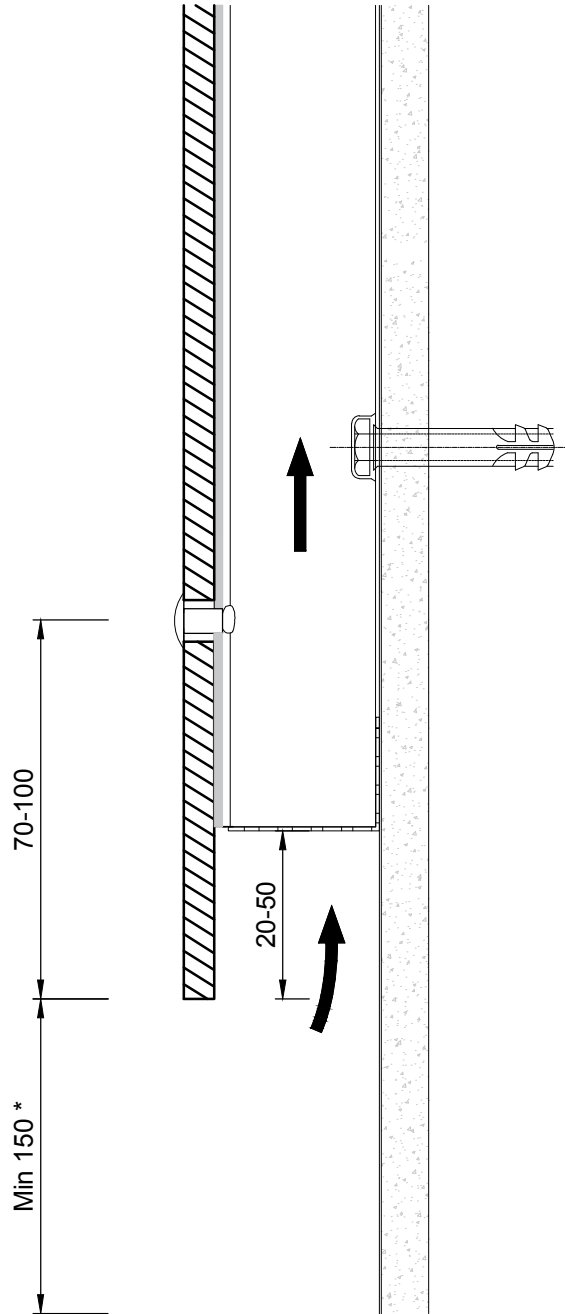


SPECIFICATION

Base detail
 EQUITONE fixed with the Stainless Steel UNI-riivet to vertical omega and zeds over breathable membrane, Siniat weather
 defence and lightweight frame
 Foam strip to be installed on all vertical rails



* Min 300mm for EQUITONE [materia]

For further information, please contact;
 Website: www.equitone.co.uk Email: techuk@etexgroup.com